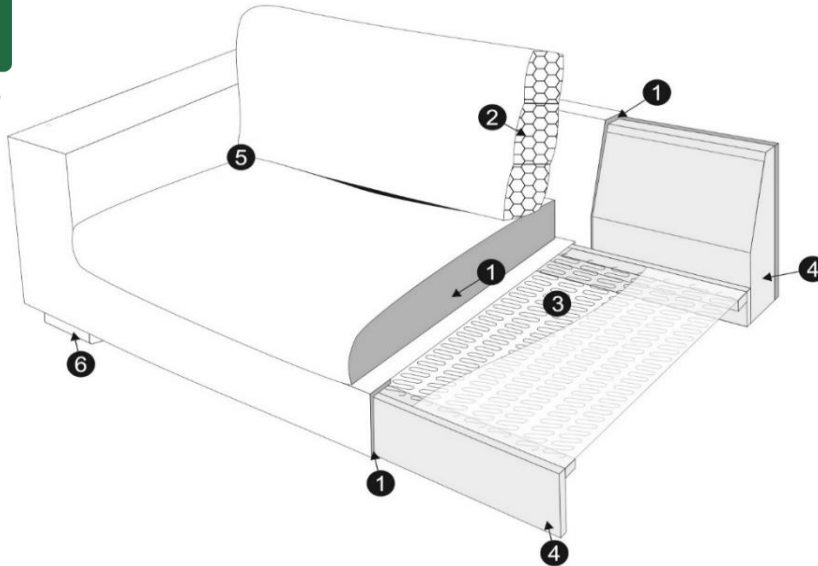




TECHNICAL SPECIFICATION

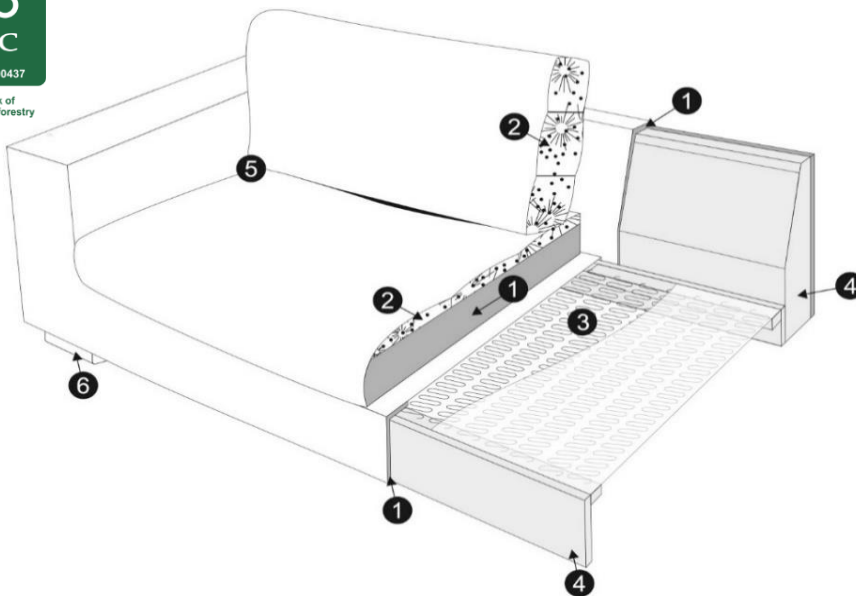
PROFILE

COMFORT: standard



| | |
|---|--|
| 1 | polyurethane foam/high resilient polyurethane foam |
| 2 | silicone balls |
| 3 | springs |
| 4 | FSC® certified solid wood and wood based elements |
| 5 | fabric |
| 6 | FSC® certified solid wood legs |

COMFORT: lux

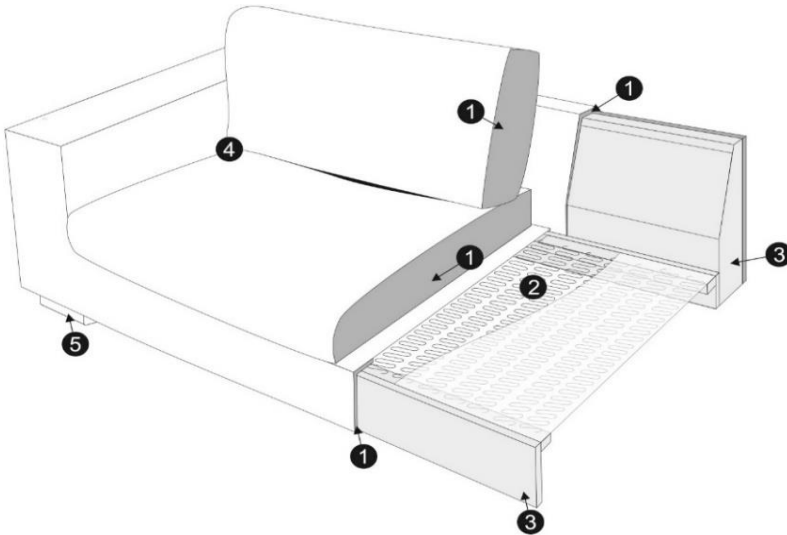


| | |
|---|--|
| 1 | polyurethane foam/high resilient polyurethane foam |
| 2 | cushion chamber with mix of feather and silicone balls |
| 3 | springs |
| 4 | FSC® certified solid wood and wood based elements |
| 5 | fabric |
| 6 | FSC® certified solid wood legs |



TECHNICAL SPECIFICATION

COMFORT: classic



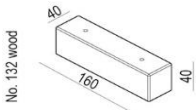
| | |
|---|--|
| 1 | polyurethane foam/high resilient polyurethane foam |
| 2 | springs |
| 3 | FSC® certified solid wood and wood based elements |
| 4 | fabric |
| 5 | FSC® certified solid wood legs |

The producer reserves the right to change construction of products and compnents used due to improving durability of product and customer satisfaction without any further notice.

UPHOLSTERY:

fabric: FC - fix cover COMFORT: standard, lux or classic

FEET



COLOURS OF WOODEN FEET



SOPHIA

home&family



design: SITS

Sales Pricelist 2022

| UPHOLSTERY: fabric: FC - fix cover | | COMFORTS: standard, lux, classic | | | | Currency: EUR | | Valid from: 01.04.2022 | | | |
|------------------------------------|---------------------------|--------------------------------------|--------|-----------------|------|---------------|-------|------------------------|-------|-------|-------|
| DIMENSION* | DESCRIPTION ARTICLE No | VOL. | WEIGHT | FABRIC USAGE | A | I | II | III | IV | E | |
| 250x98x86/46 | | 4 seater (two parts) | | | | | | | | | |
| | STD | E1547-0900-2S | 1,65 | 80 | 10,6 | 2 014 | 2 158 | 2 398 | 2 622 | 2 830 | 3 341 |
| | CLS | E1547-0900-2C | 1,65 | 80 | 10,6 | 2 174 | 2 302 | 2 542 | 2 766 | 2 973 | 3 485 |
| | LUX | E1547-0900-2L | 1,65 | 80 | 10,6 | 2 142 | 2 270 | 2 510 | 2 750 | 2 941 | 3 453 |
| 217x98x86/46 | | 3 seater | | | | | | | | | |
| | STD | E1547-0400-2S | 1,44 | 65 | 9,8 | 1 663 | 1 790 | 1 998 | 2 222 | 2 398 | 2 878 |
| | CLS | E1547-0400-2C | 1,44 | 65 | 9,8 | 1 790 | 1 918 | 2 126 | 2 350 | 2 542 | 3 005 |
| | LUX | E1547-0400-2L | 1,44 | 65 | 9,8 | 1 711 | 1 838 | 2 046 | 2 270 | 2 462 | 2 925 |
| 178x98x86/46 | | 2 seater | | | | | | | | | |
| | STD | E1547-0200-2S | 1,18 | 54 | 8,2 | 1 423 | 1 519 | 1 711 | 1 886 | 2 046 | 2 430 |
| | CLS | E1547-0200-2C | 1,18 | 54 | 8,2 | 1 535 | 1 647 | 1 822 | 2 014 | 2 158 | 2 558 |
| | LUX | E1547-0200-2L | 1,18 | 54 | 8,2 | 1 487 | 1 583 | 1 774 | 1 950 | 2 110 | 2 494 |
| 90x70x46 | | footstool | | | | | | | | | |
| | STD | E1547-1020-2S | 0,31 | 19 | 2,6 | 496 | 528 | 591 | 639 | 703 | 815 |
| | CLS | E1547-1020-2C | 0,31 | 19 | 2,6 | 512 | 544 | 607 | 655 | 703 | 831 |
| | LUX | E1547-1020-2L | 0,31 | 19 | 2,6 | 528 | 560 | 623 | 671 | 719 | 847 |
| 77x21x65 | | headrest 21/77 | | | | | | | | | |
| | STD | E1547-2177-4 | 0,11 | 2 | 1,0 | 125 | 125 | 144 | 160 | 160 | 230 |
| | | | | | | | | | | | |
| 62x21x65 | | headrest 21/62 | | | | | | | | | |
| | STD | E1547-2162-4 | 0,09 | 2 | 0,8 | 125 | 125 | 144 | 160 | 160 | 230 |
| | | | | | | | | | | | |
| x | | armrest protection / set of 2 | | | | | | | | | |
| | STD | E1547-1900-0 | 0,01 | 1 | 1,0 | 157 | 157 | 179 | 198 | 214 | 272 |
| | | | | | | | | | | | |

SOPHIA

home&family



design: SITS

Sales Pricelist 2022

UPHOLSTERY: fabric: FC - fix cover

COMFORTS: standard, lux, classic

Currency: EUR

Valid from: 01.04.2022

| DIMENSION* | DESCRIPTION ARTICLE No | VOL. | WEIGHT | FABRIC USAGE | A | I | II | III | IV | E |
|------------|---------------------------|------|--------|-----------------|---|---|----|-----|----|---|
|------------|---------------------------|------|--------|-----------------|---|---|----|-----|----|---|

elements for building sets:

| | | | | | | | | | | | |
|--------------|-----|----------------------------------|------|------|-----|-------|-------|-------|-------|-------|-------|
| 197x98x86/46 | | 3 seater left | | | | | | | | | |
| | STD | E1547-0420-2S | 0,00 | 0,0 | 1,0 | 1 503 | 1 615 | 1 806 | 1 998 | 2 158 | 2 574 |
| | CLS | E1547-0420-2C | 0,00 | 0 | 1,0 | 1 631 | 1 743 | 1 934 | 2 126 | 2 286 | 2 702 |
| | LUX | E1547-0420-2L | 0,00 | 0 | 1,0 | 1 551 | 1 663 | 1 854 | 2 046 | 2 206 | 2 622 |
| 197x98x86/46 | | 3 seater right | | | | | | | | | |
| | STD | E1547-0410-2S | 1,31 | 57,5 | 8,6 | 1 503 | 1 615 | 1 806 | 1 998 | 2 158 | 2 574 |
| | CLS | E1547-0410-2C | 1,31 | 58 | 8,6 | 1 631 | 1 743 | 1 934 | 2 126 | 2 286 | 2 702 |
| | LUX | E1547-0410-2L | 1,31 | 58 | 8,6 | 1 551 | 1 663 | 1 854 | 2 046 | 2 206 | 2 622 |
| 158x98x86/46 | | 2 seater left | | | | | | | | | |
| | STD | E1547-0220-2S | 1,18 | 47 | 7,1 | 1 263 | 1 343 | 1 503 | 1 663 | 1 806 | 2 142 |
| | CLS | E1547-0220-2C | 1,18 | 47 | 7,1 | 1 375 | 1 471 | 1 631 | 1 774 | 1 918 | 2 254 |
| | LUX | E1547-0220-2L | 1,18 | 47 | 7,1 | 1 311 | 1 407 | 1 567 | 1 727 | 1 854 | 2 206 |
| 158x98x86/46 | | 2 seater right | | | | | | | | | |
| | STD | E1547-0210-2S | 1,18 | 47 | 7,1 | 1 375 | 1 471 | 1 631 | 1 774 | 1 918 | 2 254 |
| | CLS | E1547-0210-2C | 1,18 | 47 | 7,1 | 1 311 | 1 407 | 1 567 | 1 727 | 1 854 | 2 206 |
| | LUX | E1547-0210-2L | 1,18 | 47 | 7,1 | 1 311 | 1 407 | 1 567 | 1 727 | 1 854 | 2 206 |
| 125x98x86/46 | | element 125 left | | | | | | | | | |
| | STD | E1547-0120-2S | 0,82 | 42 | 5,6 | 1 071 | 1 151 | 1 279 | 1 423 | 1 535 | 1 838 |
| | CLS | E1547-0120-2C | 0,82 | 42 | 5,6 | 1 119 | 1 199 | 1 343 | 1 487 | 1 599 | 1 902 |
| | LUX | E1547-1020-2L | 0,82 | 42 | 5,6 | 1 119 | 1 199 | 1 343 | 1 487 | 1 599 | 1 902 |
| 125x98x86/46 | | element 125 right | | | | | | | | | |
| | STD | E1547-0110-2S | 0,82 | 42 | 5,6 | 1 151 | 1 215 | 1 359 | 1 503 | 1 615 | 1 918 |
| | CLS | E1547-0110-2C | 0,82 | 42 | 5,6 | 1 119 | 1 199 | 1 343 | 1 487 | 1 599 | 1 902 |
| | LUX | E1547-0110-2L | 0,82 | 42 | 5,6 | 1 119 | 1 199 | 1 343 | 1 487 | 1 599 | 1 902 |
| 70x98x86/46 | | armchair without armrests | | | | | | | | | |
| | STD | E1547-0030-2S | 0,46 | 25 | 3,7 | 751 | 783 | 879 | 959 | 1 023 | 1 199 |
| | CLS | E1547-0030-2C | 0,46 | 25 | 3,7 | 783 | 831 | 911 | 991 | 1 055 | 1 231 |
| | LUX | E1547-0030-2L | 0,46 | 25 | 3,7 | 783 | 831 | 911 | 991 | 1 055 | 1 231 |

SOPHIA

home&family



design: SITS

Sales Pricelist 2022

| UPHOLSTERY: fabric: FC - fix cover | | COMFORTS: standard, lux, classic | | | | Currency: EUR | | Valid from: 01.04.2022 | | | |
|------------------------------------|--------------------------------|----------------------------------|--------|-----------------|-----|---------------|--------------|------------------------|--------------|--------------|--------------|
| DIMENSION* | DESCRIPTION ARTICLE No | VOL. | WEIGHT | FABRIC USAGE | A | I | II | III | IV | E | |
| 98x215x86/46 | divan left | | | | | | | | | | |
| | STD | E1547-1230-2S | 1,42 | 66 | 9,1 | 1 711 | 1 822 | 2 014 | 2 222 | 2 398 | 2 830 |
| | CLS | E1547-1230-2C | 1,42 | 66 | 9,1 | 1 886 | 1 998 | 2 206 | 2 398 | 2 574 | 3 005 |
| | LUX | E1547-1230-2L | 1,42 | 66 | 9,1 | 1 743 | 1 870 | 2 062 | 2 270 | 2 446 | 2 878 |
| 98x215x86/46 | divan right | | | | | | | | | | |
| | STD | E1547-1231-2S | 1,08 | 66 | 9,1 | 1 711 | 1 822 | 2 014 | 2 222 | 2 398 | 2 830 |
| | CLS | E1547-1231-2C | 1,42 | 66 | 9,1 | 1 886 | 1 998 | 2 206 | 2 398 | 2 574 | 3 005 |
| | LUX | E1547-1231-2L | 1,42 | 66 | 9,1 | 1 743 | 1 870 | 2 062 | 2 270 | 2 446 | 2 878 |
| 108x156x86/46 | chaiselongue wide left | | | | | | | | | | |
| | STD | E1547-1201-2S | 1,08 | 53 | 6,2 | 1 279 | 1 359 | 1 503 | 1 631 | 1 743 | 2 046 |
| | CLS | E1547-1201-2C | 1,08 | 53 | 6,2 | 1 391 | 1 471 | 1 599 | 1 743 | 1 854 | 2 142 |
| | LUX | E1547-1201-2L | 1,08 | 53 | 6,2 | 1 327 | 1 407 | 1 535 | 1 679 | 1 790 | 2 078 |
| 108x156x86/46 | chaiselongue wide right | | | | | | | | | | |
| | STD | E1547-1211-2S | 0,91 | 53 | 6,2 | 1 279 | 1 359 | 1 503 | 1 631 | 1 743 | 2 046 |
| | CLS | E1547-1211-2C | 1,08 | 53 | 6,2 | 1 391 | 1 471 | 1 599 | 1 743 | 1 854 | 2 142 |
| | LUX | E1547-1211-2L | 1,08 | 53 | 6,2 | 1 327 | 1 407 | 1 535 | 1 679 | 1 790 | 2 078 |

SOPHIA

home&family



design: SITS

Sales Pricelist 2022

UPHOLSTERY: fabric: FC - fix cover

COMFORTS: standard, lux, classic

Currency: EUR

Valid from: 01.04.2022

| DIMENSION* | DESCRIPTION ARTICLE No | VOL. | WEIGHT | FABRIC USAGE | A | I | II | III | IV | E | |
|------------------------|---|----------------------|--------|-----------------|------|--------------|--------------|--------------|--------------|--------------|--------------|
| 89x156x86/46 | chaiselongue left | | | | | | | | | | |
| | STD | E1547-1200-2S | 0,91 | 44 | 5,4 | 1 135 | 1 199 | 1 327 | 1 439 | 1 551 | 1 806 |
| | CLS | E1547-1200-2C | 0,91 | 44 | 5,4 | 1 199 | 1 263 | 1 391 | 1 503 | 1 615 | 1 870 |
| | LUX | E1547-1200-2L | 0,91 | 44 | 5,4 | 1 167 | 1 231 | 1 359 | 1 471 | 1 583 | 1 838 |
| 89x156x86/46 | chaiselongue right | | | | | | | | | | |
| | STD | E1547-1210-2S | 0,65 | 44 | 5,4 | 1 135 | 1 199 | 1 327 | 1 439 | 1 551 | 1 806 |
| | CLS | E1547-1210-2C | 0,91 | 44 | 5,4 | 1 199 | 1 263 | 1 391 | 1 503 | 1 615 | 1 870 |
| | LUX | 0 | 0,91 | 44 | 5,4 | 1 167 | 1 231 | 1 359 | 1 471 | 1 583 | 1 838 |
| 95x95x86/46 | corner 90° | | | | | | | | | | |
| | STD | E1547-1302-2S | 0,02 | 35 | 5,5 | 943 | 1 023 | 1 135 | 1 263 | 1 375 | 1 631 |
| | CLS | E1547-1302-2C | 0,65 | 35 | 5,5 | 1 071 | 1 135 | 1 263 | 1 391 | 1 487 | 1 758 |
| | LUX | E1547-1302-2L | 0,65 | 35 | 5,5 | 991 | 1 055 | 1 183 | 1 311 | 1 407 | 1 679 |
| 97x58x4 | endpart left | | | | | | | | | | |
| | STD | E1547-1960-2 | 0,02 | 4 | 1,1 | 118 | 118 | 141 | 157 | 179 | 224 |
| 97x58x4 | endpart right | | | | | | | | | | |
| | STD | E1547-1950-2 | 0,02 | 4 | 1,1 | 118 | 118 | 141 | 157 | 179 | 224 |
| suggested sets: | | | | | | | | | | | |
| 247/156x96x86/46 | SET 1 left - 2 seater r. + chaiselongue l. | | | | | | | | | | |
| | STD | E1547-5202-2S | 1,96 | 91 | 12,5 | 2 382 | 2 542 | 2 814 | 3 101 | 3 341 | 3 933 |
| | CLS | E1547-5202-2C | 1,96 | 91 | 12,5 | 2 574 | 2 734 | 3 005 | 3 277 | 3 517 | 4 124 |
| | LUX | E1547-5202-2L | 1,96 | 91 | 12,5 | 2 478 | 2 638 | 2 909 | 3 197 | 3 421 | 4 029 |

SOPHIA

home&family



BOKNÄS

design: SITS

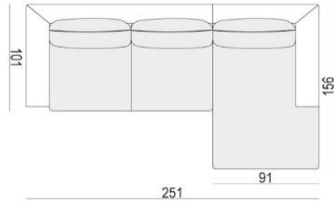
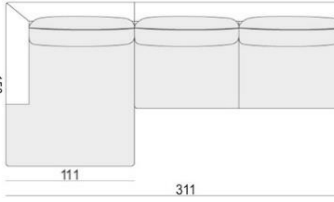
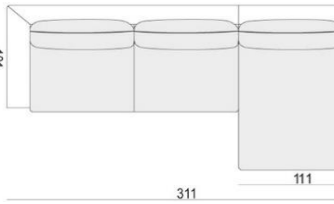
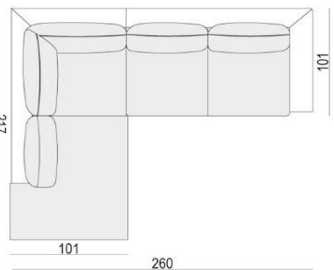
Sales Pricelist 2022

UPHOLSTERY: fabric: FC - fix cover

COMFORTS: standard, lux, classic

Currency: EUR

Valid from: 01.04.2022

| DIMENSION* | DESCRIPTION ARTICLE No | VOL. | WEIGHT | FABRIC USAGE | A | I | II | III | IV | E | |
|---|---|----------------------|--------|-----------------|------|--------------|--------------|--------------|--------------|--------------|--------------|
| 247/156x98x86/46 | SET 1 right - 2 seater l. + chaiselongue r. | | | | | | | | | | |
|  | STD | E1547-5201-2S | 1,96 | 91 | 12,5 | 2 382 | 2 542 | 2 814 | 3 101 | 3 341 | 3 933 |
| | CLS | E1547-5201-2C | 1,96 | 91 | 12,5 | 2 574 | 2 734 | 3 005 | 3 277 | 3 517 | 4 124 |
| | LUX | E1547-5201-2L | 1,96 | 91 | 12,5 | 2 478 | 2 638 | 2 909 | 3 197 | 3 421 | 4 029 |
| 305/156x98x86/46 | SET 2 left - 3 seater r. + chaiselongue wide l. | | | | | | | | | | |
|  | STD | E1547-5406-2S | 2,40 | 111 | 14,8 | 2 766 | 2 957 | 3 293 | 3 613 | 3 901 | 4 604 |
| | CLS | E1547-5406-2C | 2,40 | 111 | 14,8 | 3 005 | 3 197 | 3 533 | 3 853 | 4 140 | 4 844 |
| | LUX | E1547-5406-2L | 2,40 | 111 | 14,8 | 2 862 | 3 053 | 3 389 | 3 709 | 3 997 | 4 700 |
| 305/156x98x86/46 | SET 2 right - 3 seater l. + chaiselongue wide r. | | | | | | | | | | |
|  | STD | E1547-5405-2S | 2,40 | 111 | 14,8 | 2 766 | 2 957 | 3 293 | 3 613 | 3 901 | 4 604 |
| | CLS | E1547-5405-2C | 2,40 | 111 | 14,8 | 3 005 | 3 197 | 3 533 | 3 853 | 4 140 | 4 844 |
| | LUX | E1547-5405-2L | 2,40 | 111 | 14,8 | 2 862 | 3 053 | 3 389 | 3 709 | 3 997 | 4 700 |
| 253/215x98x86/46 | SET 3 left - 2 seater r. + divan l. | | | | | | | | | | |
|  | STD | E1547-5208-2S | 2,47 | 113 | 16,2 | 2 957 | 3 165 | 3 517 | 3 885 | 4 188 | 4 956 |
| | CLS | E1547-5208-2C | 2,47 | 113 | 16,2 | 3 245 | 3 453 | 3 821 | 4 172 | 4 492 | 5 259 |
| | LUX | E1547-5208-2L | 2,47 | 113 | 16,2 | 3 053 | 3 261 | 3 629 | 3 981 | 4 300 | 5 068 |

SOPHIA

home&family



design: SITS

Sales Pricelist 2022

UPHOLSTERY: fabric: FC - fix cover

COMFORTS: standard, lux, classic

Currency: EUR

Valid from: 01.04.2022

| DIMENSION* | DESCRIPTION ARTICLE No | VOL. | WEIGHT | FABRIC USAGE | A | I | II | III | IV | E | |
|------------------|--|---------------|--------|-----------------|------|-------|-------|-------|-------|-------|-------|
| 253/215x98x86/46 | SET 3 right - 2 seater l. + divan r. | | | | | | | | | | |
| | STD | E1547-5207-2S | 2,47 | 113 | 16,2 | 2 957 | 3 165 | 3 517 | 3 885 | 4 188 | 4 956 |
| | CLS | E1547-5207-2C | 2,47 | 113 | 16,2 | 3 245 | 3 453 | 3 821 | 4 172 | 4 492 | 5 259 |
| | LUX | E1547-5207-2L | 2,47 | 113 | 16,2 | 3 053 | 3 261 | 3 629 | 3 981 | 4 300 | 5 068 |
| 292/215x98x86/46 | SET 4 left - 3 seater r. + divan l. | | | | | | | | | | |
| | STD | E1547-5408-2S | 2,73 | 13 | 17,8 | 3 197 | 3 421 | 3 805 | 4 204 | 4 540 | 5 387 |
| | CLS | E1547-5408-2C | 2,73 | 13 | 17,8 | 3 501 | 3 725 | 4 124 | 4 524 | 4 860 | 5 707 |
| | LUX | E1547-5408-2L | 2,73 | 13 | 17,8 | 3 293 | 3 517 | 3 917 | 4 300 | 4 652 | 5 483 |
| 292/215x98x86/46 | SET 4 right - 3 seater l. + divan r. | | | | | | | | | | |
| | STD | E1547-5407-2S | 2,73 | 13 | 17,8 | 3 197 | 3 421 | 3 805 | 4 204 | 4 540 | 5 387 |
| | CLS | E1547-5407-2C | 2,73 | 13 | 17,8 | 3 501 | 3 725 | 4 124 | 4 524 | 4 860 | 5 707 |
| | LUX | E1547-5407-2L | 2,73 | 13 | 17,8 | 3 293 | 3 517 | 3 917 | 4 300 | 4 652 | 5 483 |
| 292/253x98x86/46 | SET 5 left - 3 seater r. + corner 90° + 2 seater l. | | | | | | | | | | |
| | STD | E1547-5242-2S | 3,00 | 139 | 21,3 | 3 693 | 3 949 | 4 428 | 4 908 | 5 307 | 6 331 |
| | CLS | E1547-5242-2C | 3,00 | 139 | 21,3 | 4 061 | 4 332 | 4 796 | 5 275 | 5 675 | 6 698 |
| | LUX | E1547-5242-2L | 3,00 | 139 | 21,3 | 3 837 | 4 108 | 4 588 | 5 052 | 5 467 | 6 474 |

SOPHIA

home&family



design: SITS

Sales Pricelist 2022

UPHOLSTERY: fabric: FC - fix cover

COMFORTS: standard, lux, classic

Currency: EUR

Valid from: 01.04.2022

| DIMENSION* | DESCRIPTION ARTICLE No | VOL. | WEIGHT | FABRIC USAGE | A | I | II | III | IV | E | |
|------------------|---|----------------------|--------|-----------------|------|--------------|--------------|--------------|--------------|--------------|--------------|
| 292/253x98x86/46 | SET 5 right - 3 seater l. + corner 90° + 2 seater r. | | | | | | | | | | |
| | STD | E1547-5242-2S | 3,00 | 139 | 21,3 | 3 693 | 3 949 | 4 428 | 4 908 | 5 307 | 6 331 |
| | CLS | E1547-5242-2C | 3,00 | 139 | 21,3 | 4 061 | 4 332 | 4 796 | 5 275 | 5 675 | 6 698 |
| | LUX | E1547-5242-2L | 3,00 | 139 | 21,3 | 3 837 | 4 108 | 4 588 | 5 052 | 5 467 | 6 474 |

*Explicit +/- 2 cm tolerance of all elements sizes

Załączone ceny rekomendowane mają charakter sugerowanych cen sprzedaży. Kupujący nie jest związany cenami rekomendowanymi.